

octopus 18

DESCRIPTION OF TECHNICAL SPECIFICATIONS

Elevated work platform, installed on a self-propelled track drive system, designed for access and aerial working in areas inaccessible to trucks such as on loose and sandy terrain and in areas which are difficult to reach.

BASE FRAME

Sheet steel structure. Hydraulically operated track drive system with rubber track pads providing a wide support surface. The tracks are mounted on a tie rod parallelogram controlled by hydraulic cylinders enabling widening and the machine to be raised.

OUTRIGGERS

A variable outrigger adjustment system is available on request. This is particularly useful when the elevated work platform must be positioned in tight spaces. Depending on the position chosen for the outriggers (totally / partially extended with differentiation between left and right also possible), the platform is able to define the working area automatically under safe conditions. The special feature of this system is that if the outriggers are fully extended on one side and only partially on the other then the platform can be positioned closer to the operating front.

BOOM SUPPORT

Made from extremely resistant sheet steel. Movement is achieved using a rack and worm screw system. The boom support houses all the electrical and hydraulic components as well as the heat engine and electric motor which create the hydraulic power required for machine operation.

TWIN PANTOGRAPH

Fitted with a twin pantograph articulation system ensuring unrivalled performance and movement for elevated work platforms of this type and, most importantly, perfectly vertical ascent and descent.

BOOM

Designed with 2 components, including a telescopic one, and made from steel.

The boom is extended using an internal cylinder.

FIXED OR ROTARY HYDRAULIC JIB

Fitted with a hydraulic jib able to perform vertical movement from -85° to $+60^{\circ}$. A unique feature of this machinery is that on request it can be fitted with a hydraulic rotary jib able to perform vertical movement and 90° horizontal rotation (45° to the right and 45° to the left) without any extra limits on bucket load capacity. This added feature allowing the bucket to rotate $\pm 45^{\circ}$ (available as standard) ensures the widest possible movement at the end of the telescopic structure. It also allows obstacles to be avoided (for example when pruning trees) without having to reposition the entire aerial platform. There are no other models on the market with a jib like this.



OIL&STEEL SPA

Via Verdi 22
41018 San Cesario Sul Panaro
Modena - Italy

Subject to management and coordination
by PM Group spa sole shareholder of company
Modena register of companies no. 280699
Tel. +39 059 936811 Fax +39 059 936413

SHARE CAPITAL € 362,400.00 (fully paid-up)
TAX CODE/VAT NO. 02313650364
www.oilsteel.com – info@oilsteel.com

BUCKET

Made entirely from aluminium. Fitted with front opening with safety barrier and gravity latch for easy operator access. The bucket is secured using a quick-release system ensuring extremely compact dimensions when the equipment is being moved. The bucket support structure is fitted with a rotary system allowing the bucket to be rotated 45° to the right and 45° to the left using a hydraulic control system.

BUCKET LEVELLING

Hydraulic parallelogram system allowing for corrections in the event of bucket positioning misalignment.

CONTROLS

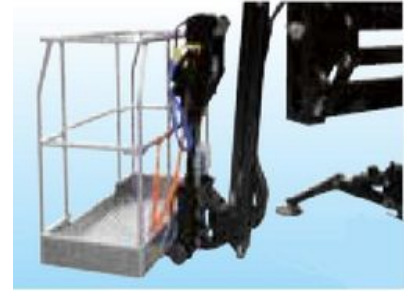
Electro-hydraulic for transfer and stabilisation. Remote control supplied as standard.

Proportional hydraulic for bucket control with two operating positions, one in the bucket and one on the base frame.

All operating positions are fitted with a self-held emergency stop button to shutdown the engine.

DEVICES FITTED AS STANDARD

- Boom outrigger interlock
- User and maintenance booklet
- Bucket load limiter
- Manual pump for emergency descent
- Electrical system overload switches
- Hydraulic circuit max. pressure valve
- Cylinder lock valves
- Adjustable track drive from 790 mm to 970 mm
- Removable two-operator bucket 1400 x 700 x h 1100
- Machine operation hour counter
- Single-phase, auxiliary 220 V - 110 V AC - 2.2 kW electric pump including electrical control panel and battery charger powered using an external source
- Machinery guard
- Honda 15 hp petrol engine
- Bucket hydraulic rotation system (45° right + 45° left)
- Outriggers fitted with illuminated position indicators
- Engine and auxiliary motor can be switched ON/OFF from the bucket
- Pair of black track belts
- Electrically controlled emergency descent
- Automatic brake during transfer
- Fixed hydraulic tilting jib
- Water and air supply line to bucket
- Extra-large Nylatron outrigger support plates (diam. 300 mm)
- Single-phase, 220 or 110 V AC power socket and differential overload switch fitted on bucket
- Control priority on bucket
- Engine emergency stop button
- Wired control panel for transfer, outrigger stabilisation and track opening controls
- Transfer warning siren
- Good stability warning lights
- Engine starter control unit on bucket



OIL&STEEL
18

OIL&STEEL SPA

Via Verdi 22
41018 San Cesario Sul Panaro
Modena - Italy

Subject to management and coordination
by PM Group spa sole shareholder of company
Modena register of companies no. 280699
Tel. +39 059 936811 Fax +39 059 936413

SHARE CAPITAL € 362,400.00 (fully paid-up)
TAX CODE/VAT NO. 02313650364
www.oilsteel.com – info@oilsteel.com

SPECIFICATIONS AND PERFORMANCE

Length	4650 mm (without bucket)
Width	780 mm
Height	1970 mm
Max. operating height	18 m
Max. boom overhang	8.5 m
Maximum load	200 kg / 2 operators
Max. no. of operators	2
Removable aluminium bucket dimensions	1400 x 700 x h 1100 mm
Telescopic boom angular stroke	From 0° to +75°
Maximum terrain incline	28%
Controls	aerial components: proportional hydraulic - outriggers and transfer: electro-hydraulic
Bucket rotation	45° right + 45° left
Boom support rotation	360°
Vehicle kerb weight	2650 kg

OPTIONS AVAILABLE ON REQUEST

- Pair of white non-marking tracks for use indoors instead of the standard ones
- Wax protection system for shipping by sea
- Bucket fitted with 60 W light
- Gradient detection device with max. gradient warning siren
- Hydraulic rotary jib (45° right + 45° left)
- 12 V electric socket on the bucket
- Remote control unit for transfer, outrigger stabilisation and track opening controls
- Remote control unit with automatic stabilisation
- Decals on boom
- Automatic stabilisation with wired control unit
- Variable stabilisation (multiple area working)
- Auxiliary Lombardini diesel engine
- Elevated work platform and boom treated with corrosion-resistant paint
- Painting options (standard white RAL 9016)
- 2 safety harness kits with rope
- Machinery metal guard instead of the standard one



octopus 18

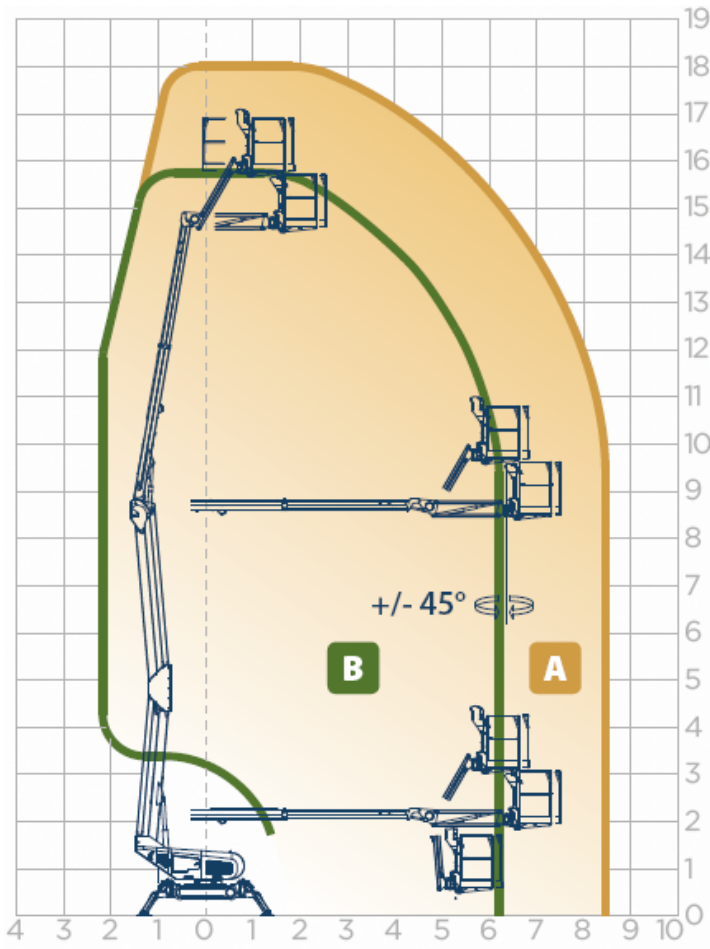
OIL&STEEL SPA

Via Verdi 22
41018 San Cesario Sul Panaro
Modena - Italy

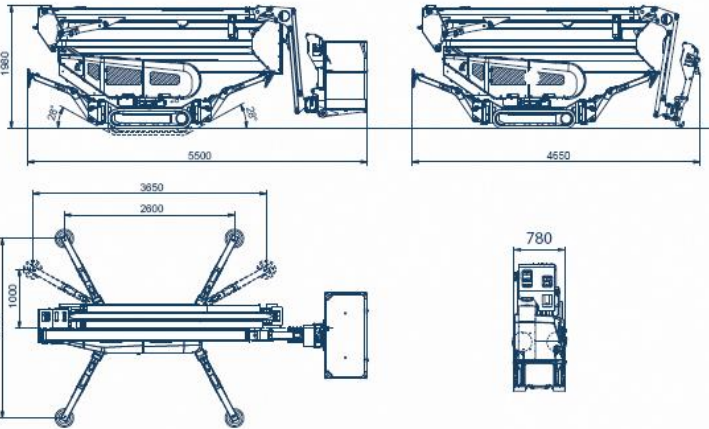
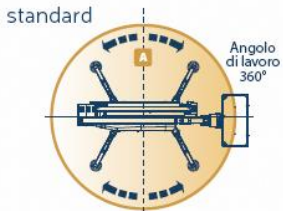
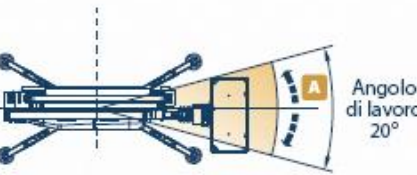
Subject to management and coordination
by PM Group spa sole shareholder of company
Modena register of companies no. 280699
Tel. +39 059 936811 Fax +39 059 936413

SHARE CAPITAL € 362,400.00 (fully paid-up)
TAX CODE/VAT NO. 02313650364
www.oilsteel.com – info@oilsteel.com

OPERATING AREA AND MACHINE DRAWINGS



optional: additional working area



octopus 18