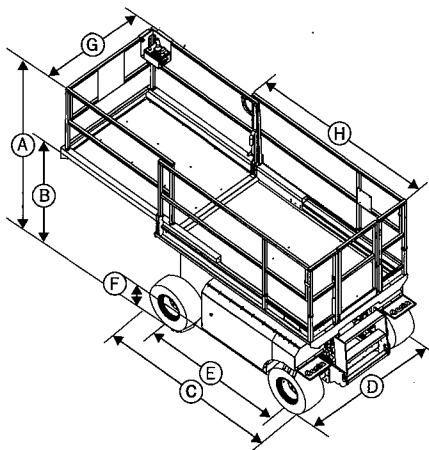


GS-2668  
GS-3268

## GS-2668 and GS-3268

- The solid steel deck platform has a **slip-resistant surface**
- Heavy duty guardrails fold down completely and quickly without tools for **increased accessibility**
- **Lubrication-free, service-free pivot points**
- **Built-in lanyard attachment points** are provided
- The ergonomic joystick controller operates from the platform or the ground
- **Low noise level** allows operation in quiet work environments
- High angle steering provides **excellent manoeuvrability**
- Variable speed motor **extends battery and motor life** by using only the energy needed to do the required work



## Standard Features

- GS-3268 has 11.75 m (38 ft) working height and GS-2668 has 9.9 m (32 ft) working height
- 1.52 m (60 in) roll-out platform extension
- 1.73 m (68 in) unit width
- 454 kg (1,000 lb) load capacity for the GS-3268 and 567 kg (1,250 lb) load capacity for the GS-2668
- Proportional controls for lift and drive functions
- Multiple disc brakes
- Emergency stop switches at both platform and ground controls
- Manual brake release
- Manual platform lowering valve
- Full height platform swing gate
- Turf tyres
- AC wiring to platform
- Tilt sensor with an audible alarm
- Automotive-style horn
- Hour meter

## Options and Accessories

- Motion alarm
- Inverter
- Air line to platform
- Platform work lights
- Dual flashing beacon
- Non-marking tyres
- Rough terrain tyres
- Pipe Cradle

## Standards Compliance

- CE EN280

## Occupancy Rating

- Indoor : 4 persons
- Outdoor : 4 persons (GS-2668), 2 persons (GS-3268)

## Specifications

Model	GS-2668 Metric	US	GS-3268 Metric	US
Working height <sup>1</sup>	9.9 m	32 ft	11.75 m	38 ft
Platform height	7.9 m	26 ft	9.75 m	32 ft
(A) Height - stowed (guardrails)	2.34 m	91 1/2 in	2.46 m	96 1/2 in
Height - stowed (guardrails lowered)	1.64 m	67 in	1.77 m	72 in
(B) Height - stowed (platform)	1.18 m	46 3/4 in	1.31 m	51 3/4 in
(C) Unit length - stowed	2.67 m	105 in	2.67 m	105 in
Unit length - platform extended	4.19 m	161 1/2 in	4.19 m	161 1/2 in
(D) Unit width	1.73 m	68 in	1.73 m	68 in
(E) Wheelbase	1.85 m	73 in	1.85 m	73 in
(F) Ground clearance	19 cm	7 1/2 in	19 cm	7 1/2 in
(G) Platform width	1.55 m	61 in	1.55 m	61 in
(H) Platform length - stowed	2.51 m	99 in	2.51 m	99 in
Platform length - extended	4.04 m	156 in	4.04 m	156 in
Roll-out platform extension	1.52 m	60 in	1.52 m	60 in
Lift capacity	567 kg	1,250 lb	454 kg	1,000 lb
Extension deck capacity	136 kg	300 lb	136 kg	300 lb
Turning radius - outside	3.68 m	145 in	3.68 m	145 in
Turning radius - inside	1.52 m	60 in	1.52 m	60 in
Power source	48V (8 6V 350AH batteries), both models			
Drive speed - stowed	5.3 km/h	3.3 mph	5.3 km/h	3.3 mph
Drive speed - raised	0.8 km/h	0.5 mph	0.8 km/h	0.5 mph
Raise/lower speed	30/35 sec		50/37 sec	
Controls	proportional		proportional	
Tyres	30.5cm x 66cm		12 x 26 in	
Gradeability	30%		25%	
Drive	dual front wheel, both models			
Multiple disc brakes	dual rear wheel, both models			
Weight <sup>2</sup>	3,104 kg	6,843 lb	3,543 kg	7,811 lb

<sup>1</sup>The metric equivalent of working height adds 2 m to platform height, US adds 6 ft to platform height.

<sup>2</sup>Weights are subject to change

Distributed By:

## Genie Industries

### GENIE UNITED KINGDOM

The Maltings, Wharf Road  
Grantham  
Lincolnshire NG31 6BH  
England  
Telephone (44) 01476-584333  
Fax (44) 01476-584334  
<http://www.genieindustries.com>

### GENIE UNITED STATES

18340 NE 76th Street  
P.O. Box 97030  
Redmond, Washington 98073-9730  
Telephone +1 (425) 881-1800  
Fax (425) 883-3475  
<http://www.genieindustries.com>